

Industrial 4-Port Gigabit PoE++ 4-Port Gigabit PoE+ 2-Port 10G SFP+ 2-Port 1G/2.5G SFP L2 Managed Ethernet Switch

Overview

UTP7612S-PSD360 is Industrial 4-Port Gigabit PoE++ 4-Port Gigabit PoE+ 2-Port 10G SFP+ 2-Port 1G/2.5G SFP L2 Managed Ethernet Switch.

This switch provides 8 Gigabit Ethernet RJ-45 ports, 2*10G SFP+ ports and 2*1G/2.5G SFP ports. It meets IEEE 802.3af/at/bt standard. All RJ-45 ports support Power-over-Ethernet, 1~4 ports deliver up to 90W(PoE++) power per port, 5~8 ports deliver up to 30W(PoE+) power per port. The switch supports the Q-PoE (Quick PoE) technology, which enables PoE power supply immediately upon switch startup without waiting for switch system software control. The switch supports the P-PoE (Perpetual PoE) technology, which enables PoE power supply without interruption when switch is restarting and restores network quickly. The switch has extensive L2 management functions, such as 802.1Q VLAN, 802.1p QoS, SNMP, Fast-Ring, ERPS and PoE control. It can be easily managed via a WEB GUI (http/https), CLI (telnet/ssh/console) or SNMP.

Features and Highlights

Abundant Interfaces

- 4*10/100/1000Base-T PoE++ RJ-45 ports
- 4*10/100/1000Base-T PoE+ RJ-45 ports
- 2*1G/2.5G or 10GBase-X SFP+ ports
- 2*1G/2.5GBase-X SFP ports
- 1*RJ-45 Console port
- 1*USB 3.0 port
- 1*RS485

Industrial Design

- Working temperature:-40~75°C
- Redundant power supply
- 6kV contact discharge, 8kV air discharge ESD protection
- Fan-less metal shell design
- DIN-rail/wall mounted/desktop installation

Layer 2 Management Function

- 802.1Q VLAN
- 802.1p QoS
- SNMP
- STP/RSTP/MSTP
- Fast-Ring
- ERPS
- IGMP snooping



Specifications

Items	UTP7612S-PSD360
Hardware Specifications	
Ethernet Ports	4*10/100/1000Base-T PoE++ RJ-45 4*10/100/1000Base-T PoE+ RJ-45 2*1G/2.5G or 10GBase-X SFP+ 2*1G/2.5GBase-X SFP
Management Ports	1*RJ-45 Console 1*Relay 1*RS485
Serial Port	RS-485 signal: D+, D- Check bit: None, Even, Odd, Space, Mark Data bit: 5, 6, 7, 8bit Stop bit: 1, 1.5, 2bit Baud rate: 300~115200bps Load capacity: RS-485 port supports 32-point polling environment(128-point could be customized) Direction control: RS-485 adopts automatic data flow control technology
USB Port	USB3.0
Init Button	Short press to restart the switch, long press >5s to initialise the system
LED Indicators	2*Power supply indicators, 1*Alarm indicator, 2*SFP+ port indicators, 2*SFP port indicators
Cable	Cat5 or better
Dimensions (W*D*H)	163mm*110.5mm*46.5mm
Net Weight	0.82kg
Input Voltage	Support redundant power supply, Power 1 (Main): 48~57V DC, Power 2 (Backup): 48~57V DC
Power Consumption	≤370W(Full load, include PoE)
Installation	DIN-rail/Desktop/Wall mounted
Material	Metal shell
Switch Property	
Forwarding Modes	Store and Forward
Switching Capacity	66Gbps/non-blocking
Packet Forwarding Rate	49.1Mpps
MAC Table	16k, supported auto learning
Port Buffer	1Mbit
Jumbo Frame	9kB
PoE	
PoE Power Supply Type	End-span
PoE Standard	IEEE 802.3af/at/bt
PoE Pin Assignment	1~4 ports: 3/6/4/5(+), 1/2/7/8(-); 5~8 ports: 1/2(+), 3/6(-)
PoE Budget	1~4 ports: 90W max for each port, 5~8 ports: 30W max for each port, 360W max for whole switch
Environments	
Surge protection	IEC61000-4-5, Power: 4kV, Data Port: 6kV
ESD	IEC61000-4-2, Level 3: Contact Discharge: 6kV, Air Discharge: 8kV
Operating	Temperature: -40°C~75°C
	Relative Humidity: 5%~95% (Non-condensation)
Storage	Temperature: -40°C~85°C
	Relative Humidity: 5%~95% (Non-condensation)

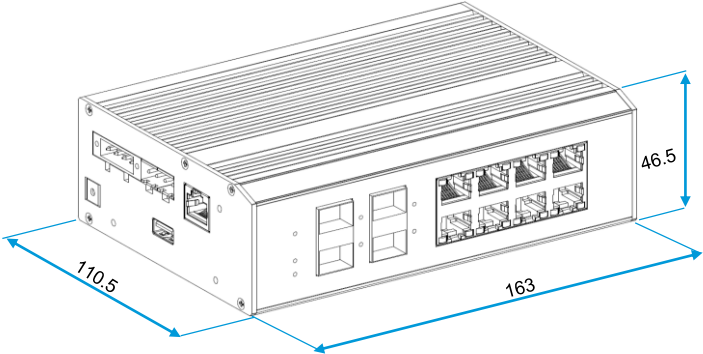
Software Architecture

Items	UTP7612S-PSD360
Port Management	Support port enable/disable
	Support port rate settings
	Support port full-duplex mode
	Support IEEE 802.3x flow control
	Support port name change
VLAN	Support 4K VLAN
	Support 802.1Q protocol-based VLAN
	Support port-based VLAN
QoS	Support QoS
	Support 8-level priority management for switching
	Support WRR
	Support 802.1p and DSCP priority
Multicast Management	Support IGMP snooping
PoE Management	Support total power consumption control
	Support PoE on/off
	Support single port 90W/30W max. Power change and port output priority
Alarm Signal Output by Relay	Support relay alarm for power off, ports network link-off, ports PoE off
Safety Character	Support IP, MAC, port, VLAN combination and binding
	Support MAC address auto-learning, aging& filter
	Support port isolation, port speed-limited
	Support STP/RSTP/MSTP
	Support fast-ring
	Support 5 groups of 8-port trunk
	Support G.8032.v2 ERPS
	Support RADIUS authentication & 802.1X authentication
System Management & Maintenance	Support WEB management, CLI settings and telnet settings;
	Support SNMP V1/V2/V3 protocol
	Support TFTP/HTTP web upgrading
	Support flow calculate
	Support MAC address form search
	Support IP address, DNS server change
	Support username & password change
	Support history record, journal management
	Support system settings backup

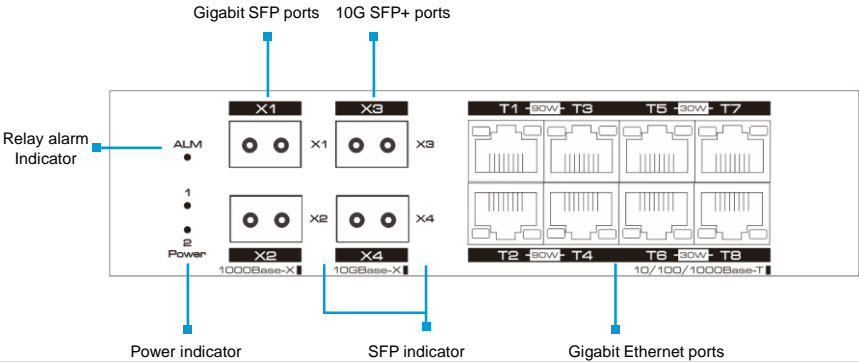
Appearances and Dimensions

UTP7612S-PSD360

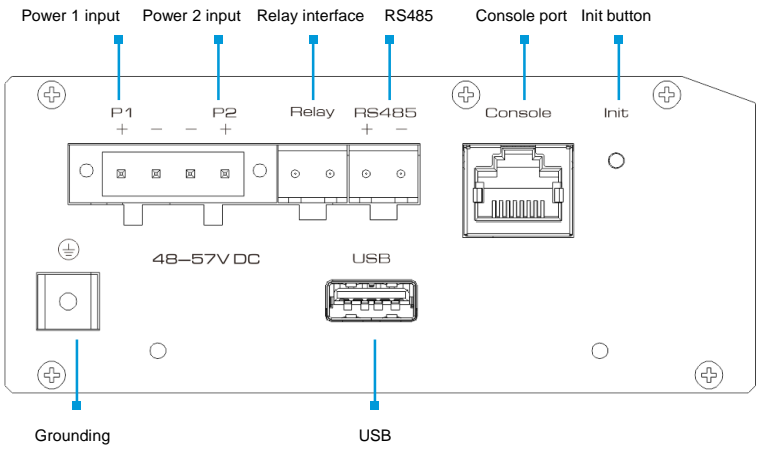
Dimensions (mm)



Front Panel



Side Panel



Packing List

Welcome to order our products. After purchasing, you will receive:

Items	Quantity
Switch	1 set
Accessory	1 pc
Quick Installation Guide	1 pc

More Information

For more information, please visit:

www.utepo.net

SHENZHEN UTEPO TECH LTD.

Head quarter: 5F, Building B, Tiange Science and Technology Park, NO.2, Luozu Industrial Avenue, Shi'yan Street, Bao'an District, Shenzhen, Guangdong, China

Tel: +86-755-83898016-863 or +86-1501-2669-765 (Sales)

Email: info@utepo.net (Sales), support@utepo.net (Technical support)

©2022 SHENZHEN UTEPO TECH LTD. All Rights Reserved.

Version,V1.2, updated 2022.8.25.

The information in this document is subject to change without notice.

Every effort has been made in the preparation of this document to ensure accuracy of the contents, but all statements, information, and recommendations in this document do not constitute a warranty of any kind, express or implied.