

NAS-8521

IP INTERCOM TERMINAL



MAIN FUNCTIONS

Basic functions

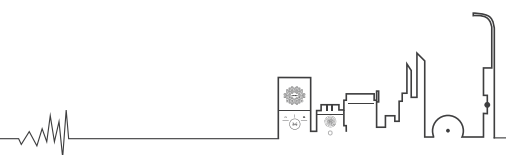
- Intercom: Preset a call destination on the server to initiate a call to the target terminal; when there is no server, you can initiate a destination call by preset the target terminal IP address on webpage
- Broadcast: IP network intercom terminal can receive broadcasts initiated by server or other terminals
- The host can cascade 16 intercom panels, and the panels can be connected hand in hand
- The host with 2 alarm inputs and 2 alarm outputs for alarm linkage
- The host can insert an SD card with a built-in audio file, which is used to play prompts. Parameter setting
- Users can configure the network parameters and audio parameters of the IP network intercom terminal through the browser

Audio functions

- Recording output: Can output the sound of the intercom panel to third-party storage
- Line output: Can be used for external high-power active speakers
- Power output: Optional 2 * 10W digital power amplifier for driving passive speakers for sound reinforcement

Additional functions

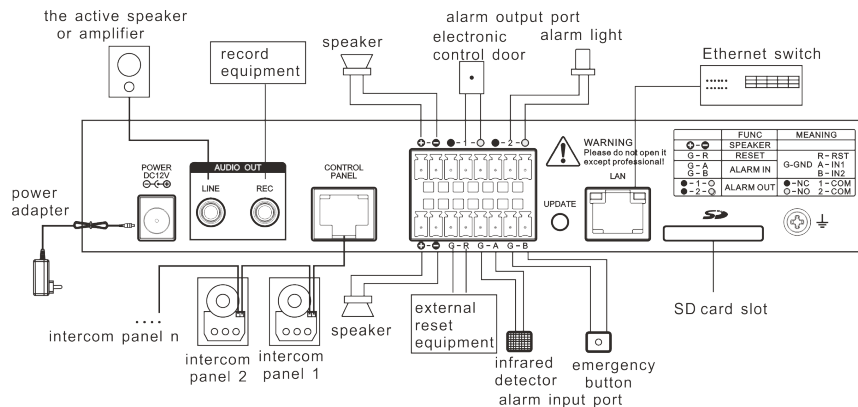
- Full duplex intercom function
- Available with single call button or dual call button
- Can be concealed or surface mounted, full metal housing, with anti-stab protection and anti-removal alarm function, protection class IP54.
- With the setting of the ring back tones as well as the voice prompts of the "call through、 call busy and hang up"
- Supports automatic audio inspection and loop monitoring functions
- Built-in 3W speaker and microphone, hands-free calling and receiving broadcast



SPECIFICATIONS

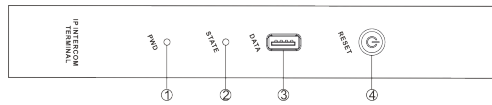
NAS-8521		
Audio parameters	Audio stream	Unidirectional / bidirectional left/right channel
	Codec protocol	PCM、ADPCM、MP3
	PCM、ADPCM、MP3	8kHz-44.1kHz, 16bit, 8kbps-320kbps
Network parameters	Amplifier	Class D 2*10W
	Security	Login password protection
System intergration	Protocol	IPv4/v6, HTTP, RTP, TCP, UDP, IGMP, ARP
	Voice announcement	Initiate or receive intercom
	Output power(DC)	2×10W
General parameters	Standby power	≤ 23W
	Shell color	Silver white
	Shell material	Plastic
	RAM	128M
	Power	12V/2A
	Interface	RJ45, Panel interface, 1*Audio output, 1*record output, 2*Alarm in/out, 2*Amp output, 1*SD card port
	Reliability	24H/7D
	Work environment	-10 °C -70 °C
	Certification	CE
	Dimensions	210 x 155 x 45 mm
	Weight	0.5KG
	Standard accessories	IP network video terminal intercom host: 1 Power adapter (DV12V / 2A): 1 Terminals (3.81-8P): 2 Manual, certificate and warranty card: 1
	Language	Simplified Chinese, English
	Warranty period	2 years
	Panel parameters	Speaker unit
Interface		One in one out
Call button		single/double

WIRING



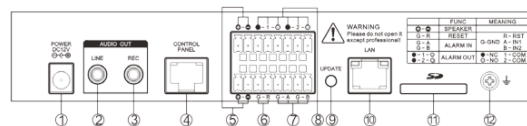
INTERFACE

Front panel

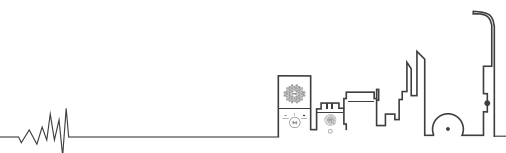


- ① Power indicator: steady red when power on
- ② Status light
- ③ Data port ,reserved
- ④ Reset key

Rear panel



1. DC12V input interface
Offer the 12V input voltage to machine
2. Audio line output port
This output port is the restored original audio signal, it can be used as the sound resource to amplifier or active speaker, it's used to play the background music
3. Record audio output port
This port outputted voice is from panel microphone. this port is to output the intercom audio signal, used to connect optical transceiver recording equipments` audio input, to record with the video synchronization.
4. Intercom panel connection port
Through adopting the 568B specification twisted-pair connection panel.
5. Internet power amplifier output port(optional)
It can select 2*10W digital audio amplifier (optional),connect to the speakers directly, realize the background music amplification playing.
6. Reset interface
It can connect the external device to remote reset the terminal.
7. Alarm input port
G-A is alarm input 1, G-B is alarm input 2, when two pins is short circuited, the terminal will make special operation automatically (if arise alarm signal it will send to the server or terminal give the alarm in local etc)these operations can access terminal web page to configure it, enter terminal IP address in IE browser can access the terminal webpage.



8. Alarm output port

Supply two output ports.

○-NO: Alarm output normal open port, it will close when the external trigger it;

●-NC: Alarm output normal close port, it will disconnected when the external trigger it.

Alarm output is triggered by server software, it also can triggered by the alarm input.

9. System configuration buttons.

When Off-line, press this button can play IP information. When this button is power on at the same time, it can restore the factory settings, access the force upgrade mode.

10. Network input port

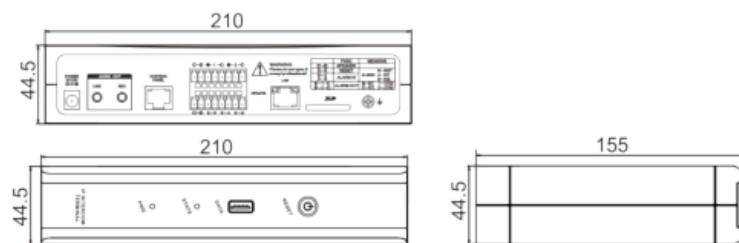
Insert the server associated network cable to make sure the terminal can login normally.

11. SD card socket

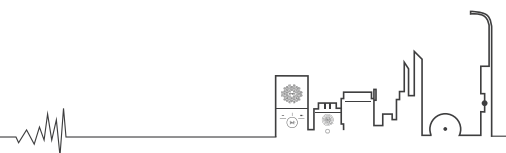
It can insert SD card, support SD save the door prompt tone, remote broadcast audio, call prompt tone and firmware information.

12. Grounding switch

INSTALLATION



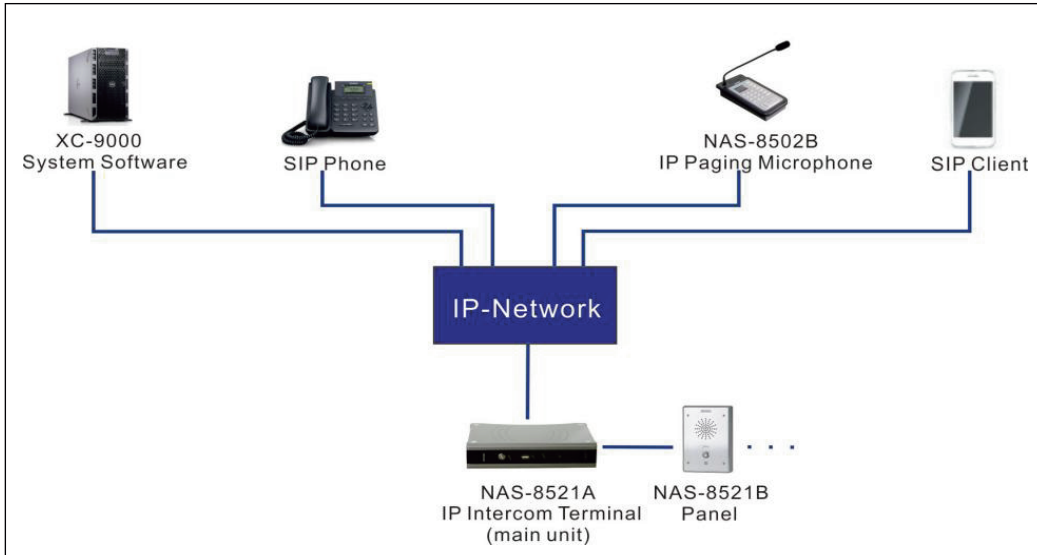
The appearance dimensions of the product are shown in the figure below. Generally, the host is surface-mounted, and the panel is mounted in the form of surface mounting or concealing.



APPLICATION

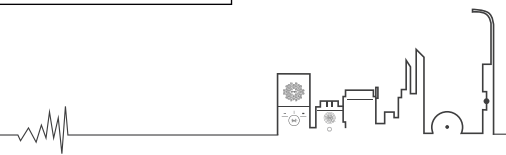
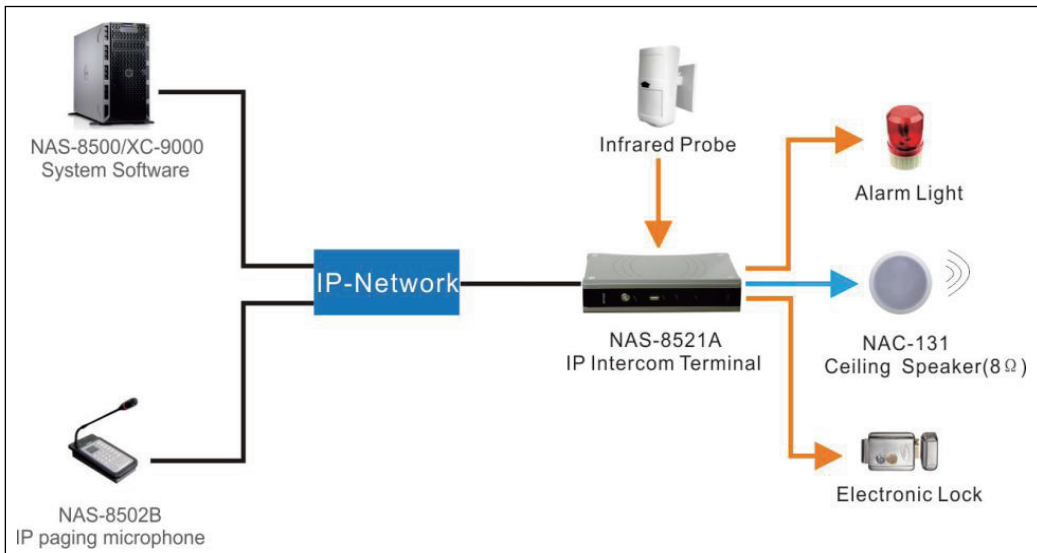
Application 1

The IP network intercom terminal NAS-8521 supports logging into the XC-9000 system, and can make two-way intercom with SIP phones or SIP soft phones ;



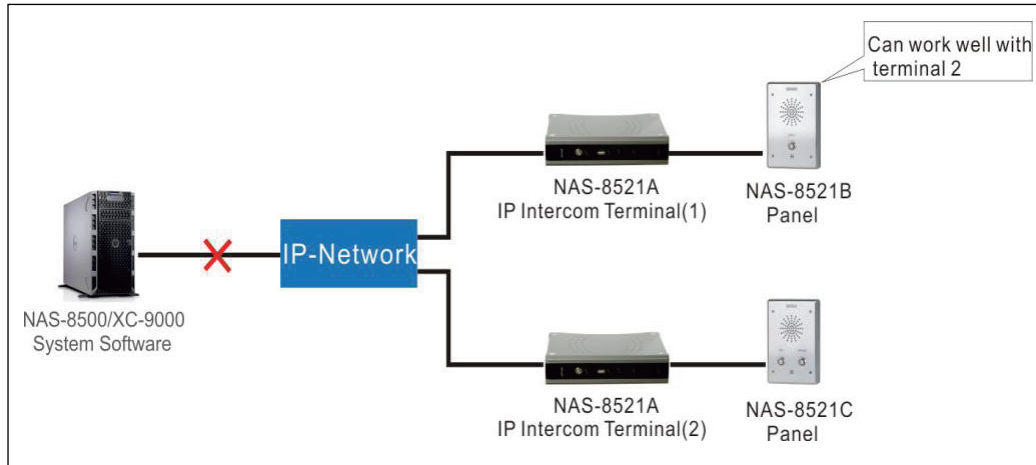
Application 2

The IP network intercom terminal NAS-8521 has a short-circuit input and output interface, which can be connected to an infrared probe and a warning light. When the infrared probe senses a person or an object, the warning light will flash and the external speaker will automatically broadcast the audio file which imported into the SD card. When the short-circuit output is connected to the external door lock, it can be unlocked remotely through the microphone;



Application 3

IP network intercom terminal NAS-8521 supports offline intercom function, and can call to the preset target terminal through the panel;



Application 4

The IP network intercom terminal NAS-8521 has a line output interface, which can be connected to an active speaker for background music playback;

