

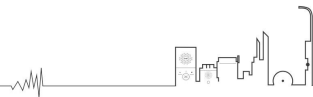
XC-9137A

IP Audio Intercom Terminal



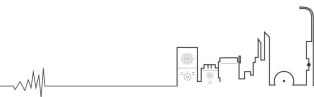
MAIN FUNCTIONS

- Durable, high-grade aluminum alloy panel, protection grade IPX5.
- With multiple installation method: embedded or wall-mounted installation.
- One-button emergency call , enabling full-duplex audio intercom.
- Compatible with standard SIP protocol, can be registered to VoIP telephone system (mainstream IP PBX such as Asterisk, Yealink, etc.) independently.
- Built-in speaker and microphone ,enabling hands-free call and receiving broadcast.
- Supporting initiating & receiving offline intercom without centralized management server software.
- Equipped with 1×Relay Output interface for linkage with external devices.
- Equipped with 1×Relay Input interface to be connected with emergency button, infrared detector or smoke detector.
- Equipped with standard RJ45 interface, accessible to the system wherever Ethernet is available, supporting cross-segment and cross-router.
- Supporting POE power supply.

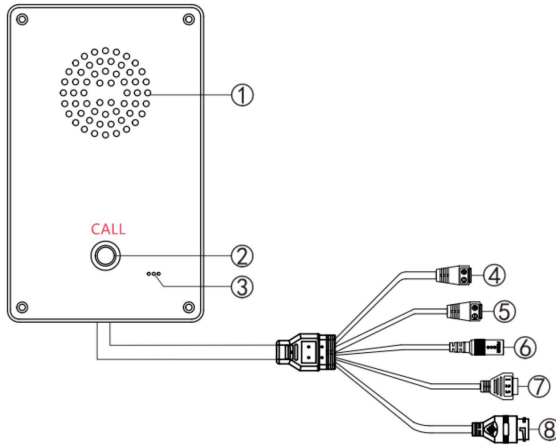


SPECIFICATION

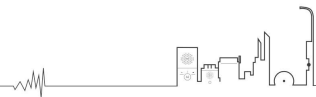
XC-9137A		
Power Parameters	Power supply	DC 12V/2A or POE(IEEE802.3af)
	Power consumption	≤4W
Audio Parameters	Frequency response	20Hz~18KHz
	Audio sampling, bit rate	8kHz~44.1kHz, 16bit, 8kbps-320kbps
	SNR	Speaker: 81dB Recording output: 70dB
	Audio delay	≤ 200ms
Network Parameters	Network protocol	TCP/IP、UDP、ARP、ICMP、IGMP、HTTP
	Network chip rate	10/100M
General Parameters	Shell color	Silver
	Shell material	Aluminum Alloy
	Interface	Relay input、Relay output、RJ45 Power input、Recording output
	Working Temperature	-20 °C ~ 60 °C
	Working humidity	≤90% (no condensation)
	Demension	100x36x162mm
	Warranty	2 Years



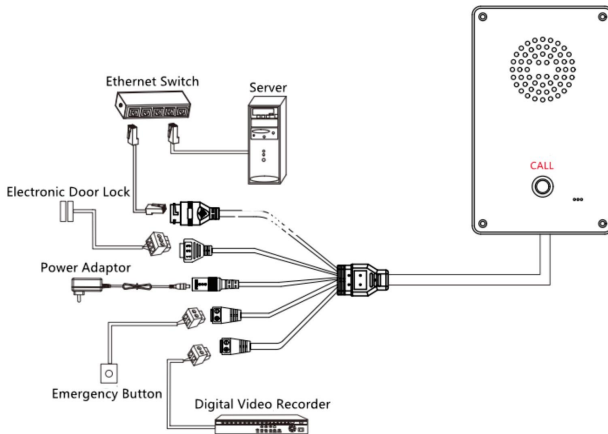
INTERFACE



- ① Speaker
- ② Call Button : Press the button can call to the target terminal which pre-set on server
- ③ Microphone
- ④ Recording output interface(Green)
- ⑤ Relay input interface(Black)
- ⑥ Power input interface
- ⑦ Relay output interface: 1.Common port ; 2. Normally Closed ; 3. Normally Opened ;
- ⑧ Ethernet interface : Support POE power supply



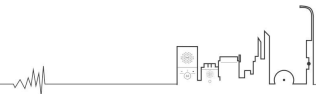
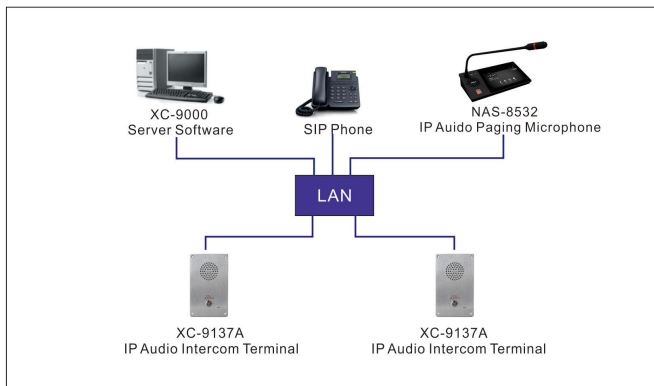
WIRING



APPLICATION

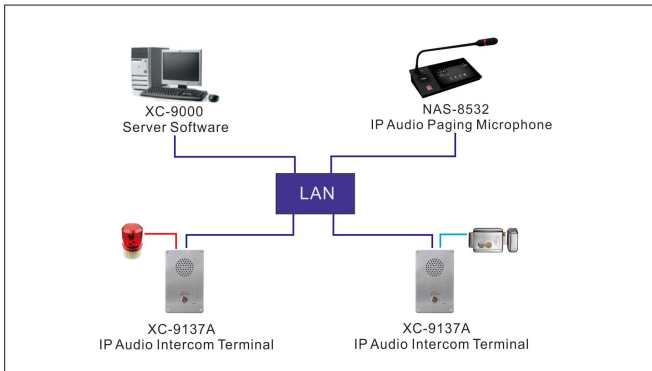
Application 1

IP intercom terminal XC-9137A support standard sip protocol ,can be registered to sip server to make a two-way intercom with sip phone or sip softphone.



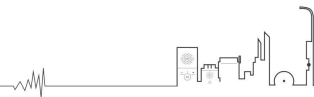
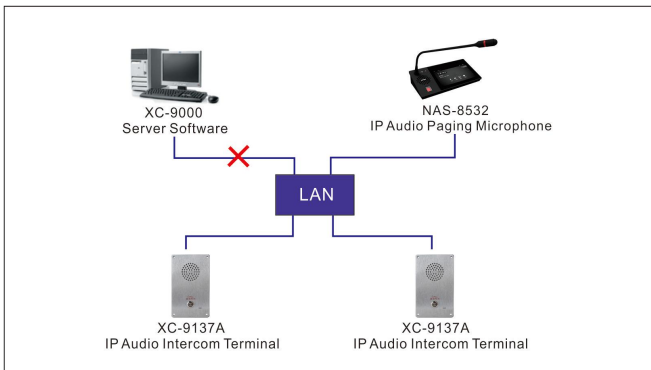
Application 2

IP intercom terminal XC-9137A with an alarm output interface, which can be connected to an alarm light or door lock. During the intercom with the IP paging microphone, the IP paging microphone can be used to remotely trigger the alarm light alarm or remote unlock.



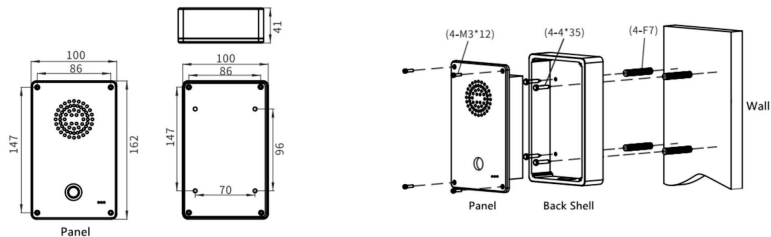
Application 3

The IP intercom terminal XC-9137A supports offline intercom function, and can call to the designated offline target in the offline state.



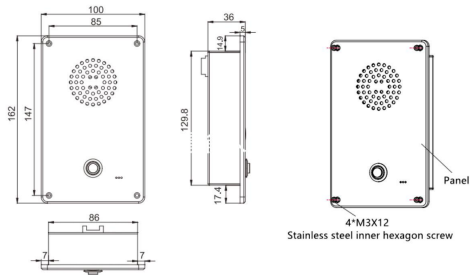
INSTALLATION

【Wall-mounted Installation】



Installation instructions: First use 4 plastic expansion sleeves and half round head cross screws to install the bottom housing in place, then use 4 M3*12 inner hexagon screws to secure the panel to the bottom housing (pay attention to perforating the waterproof tail line through the bottom).

【Embedded Installation】



Installation instructions: Use M3X12 stainless steel inner hexagon screw to fixed the panel to the proper mounting position,

