

XC-9615

IP HORN SPEAKER



MAIN FUNCTIONS

Basic functions

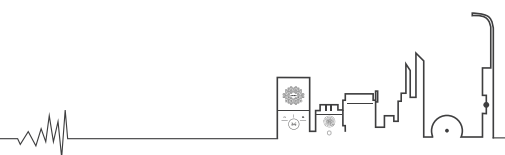
- Receive broadcast: receive the broadcast initiated from other terminal station or server.
- Modify the parameters (audio parameters, network parameters, or login password, and so on) via WEB to realize personalized settings.
- Power supply via POE (POE over Ethernet)-only one Ethernet cable required.
- SIP protocol.
- Each loudspeaker can be addressed and configured individually.
- End-to-end monitoring of connection and loudspeaker functionality.
- High volume capacity and superior speech quality thanks to the integrated 15 watts class-D amplifier and eHD voice.
- No need for central amplifiers to realize small-sized and remote PA zones.
- Loudspeaker can be allocated to groups and zones

Audio functions

- IVC (Intelligent Volume Control): automatically adjust the volume setting to the ambient noise level.
- Scheduled program broadcasting: uploading the audio resource needed to be played for every day to the server, and making the plan for broadcasting task. IP Horn Speaker can play the planned task automatically which is settings by server.

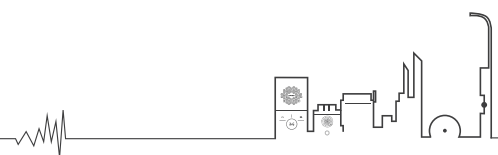
Additional functions

- Loop detection: with self-inspection function, and the working status can be detected.

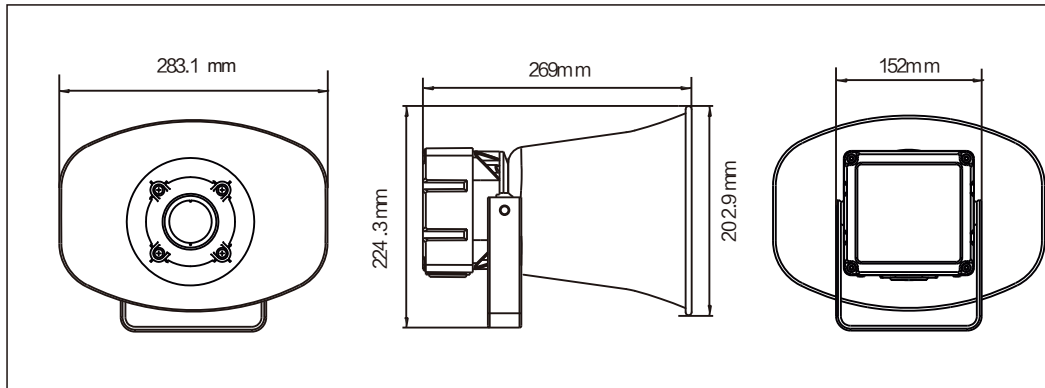


SPECIFICATIONS

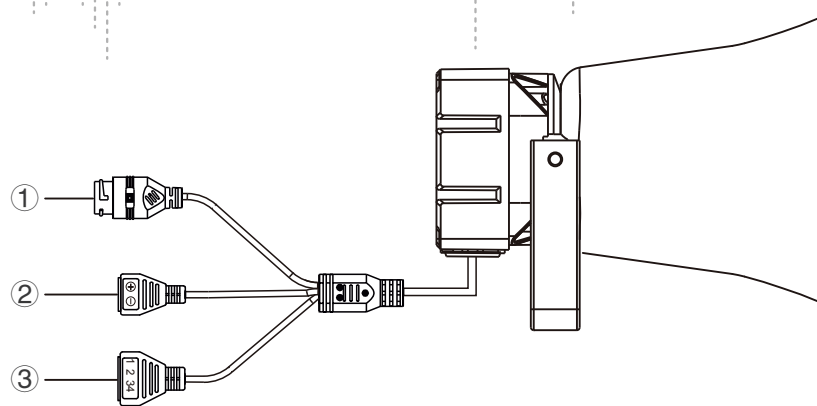
XC-9615		
Audio	Audio streaming	One-way/two way, mono
	Audio compression	G.711a, G.711u, PCM, MP3
	Audio input	MIC Built-in MIC
	Audio sampling rate	8KHz-44.1KHz
	Built-in MIC	Frequency response 20Hz-20KHz, dB-45dB
Speaker	Speaker component	Constant resistance 8 Ω
	Frequency response	100Hz~18KHz
	MAX SPL	97dB \pm 3dB
	Sensibility	88dB \pm 3dB/W/M
Amplifier	Built-in amplifier	Class D amplifier
Network	Transmission network	10/100M Network self-adaption
	Security	Password protection, IP address filtering, 802.1x network access control
	Supported protocols	IPv4/v6c, HTTP, RTP, TCP, UDP, IGMP, ARP, SIP
System integration	Voice announcement	Voice announcement through built in SIP support for connection to any IP telephone/ VoIP systemXC-9000 software
	VoIP	Support for SIP protocol to realize network transmission of audio and PBX
	Power consumption	\leq 5W
	Intelligent detection	MIC self-detect (via built-in MIC)
	(DC/POE)Output power	15W
	Event trigger	/
	Event actions	It can be realized the broadcast, alarm, and other functions with
General	Shell color	Creamy-white
	Shell material	Plastic
	Memory	RAM 128M
	Power	24V/1A or POE (IEEE 802.3af)
	Interface	RJ45 support for POE (IEEE 802.3af)
	Reliability	Designed for 24/7 operation
	Operating conditions	-20°C to 50°C (4°F to 122°F) Humidity<90% RH (no condensing)
	Storage conditions	-40 °C to 65 °C (-40 °F to 149 °F)
	Approvals	CE、3C
	Dimensions	283.1 x 224 x 269 mm (11.14 x 8.82 x 10.59 in)
	Weigh	2.0 KG
	Included accessories	Wiring terminal (3.81-2P) 1 PCS, waterproof connector 1 set, installation manual 1 PCS, certificate and warranty card 1 PCS
	Optional accessories	24V/1A power adaptor 1 PCS
	Software	/
	Languages	Simplified Chinese, English
Warranty	3 years	



INSTALLATION

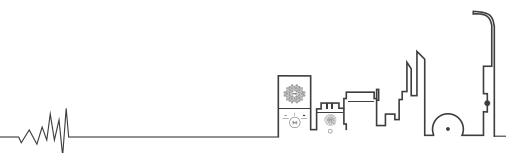


1. Please select the suitable expansion bolts to fix the bracket to an appropriate position according to the size of installation hole.
2. Adjusting to a suitable angle, then tighten the bolts.



- ① Network interface: connect with network switcher or POE switcher via network cable.
- ② Power interface: DC 24V/1A (POE supply, and it needn't to connect with the power if connected with POE switcher already).

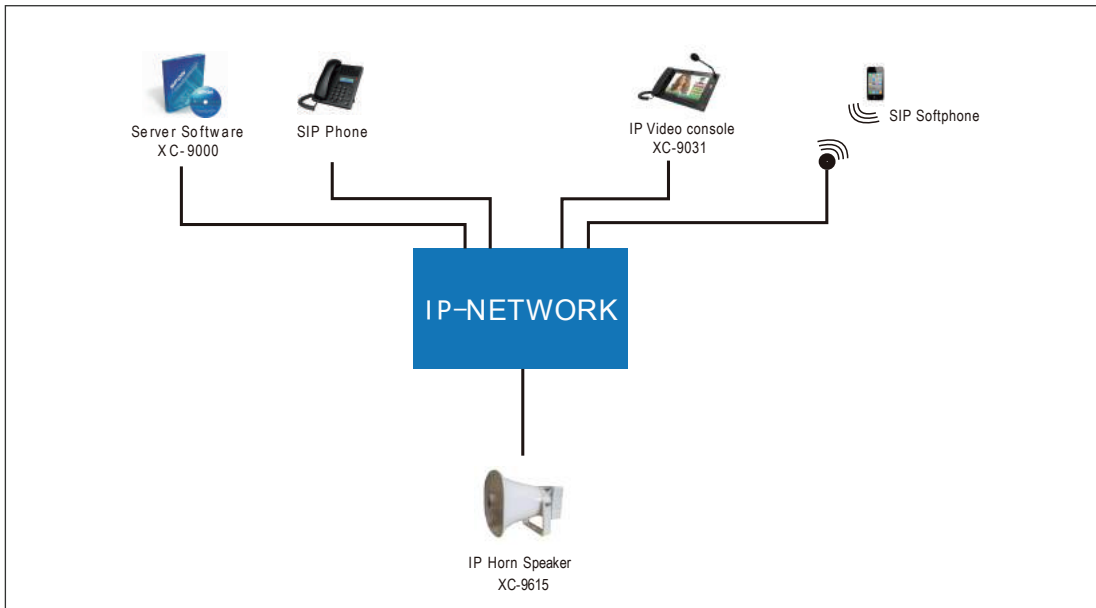
Notes: ③ is for reserved.



APPLICATION

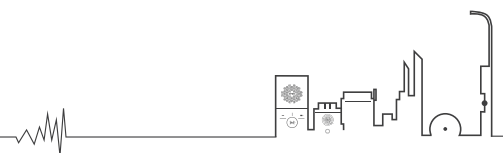
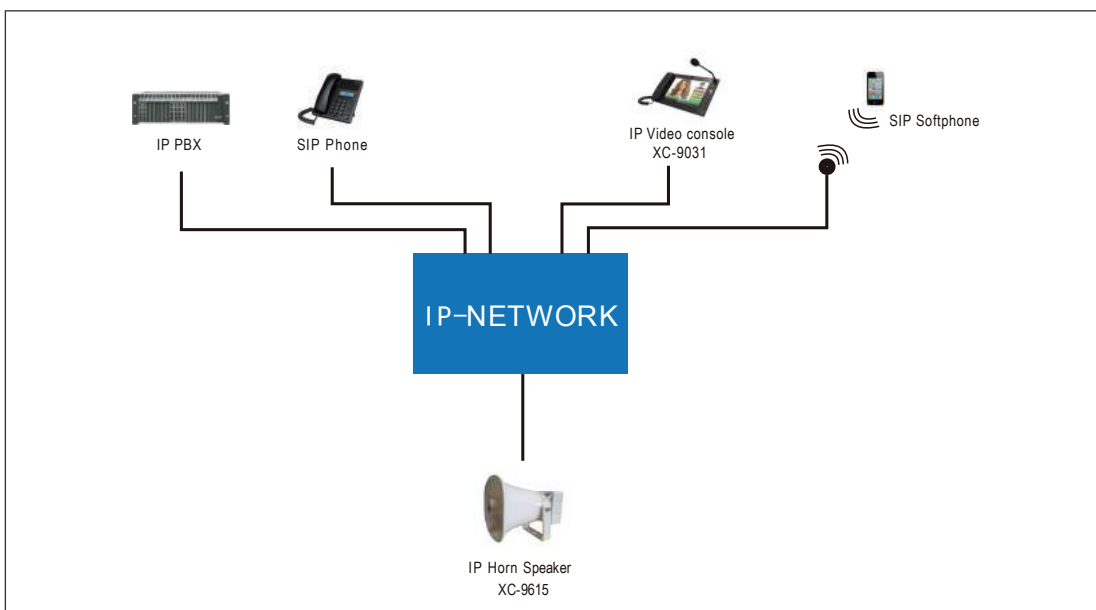
Application 1

IP Horn Speaker is work with SPON XCoIP protocol, and it will be ok for SIP phone to make broadcasting to one or more IP Horn Speaker.



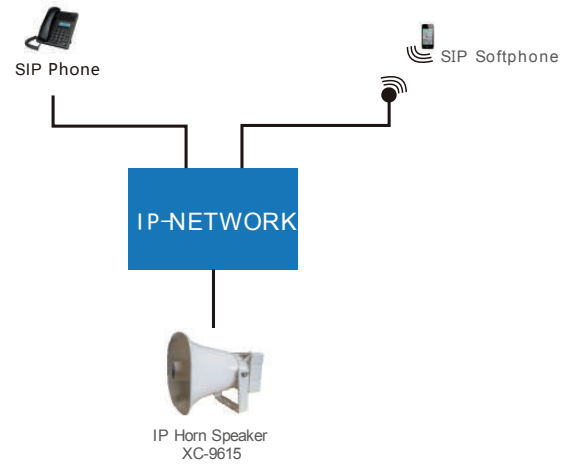
Application 2

IP Horn Speaker is work with standard SIP protocol, and it will be ok for registering to the mainstream IP-PBX and receiving SIP calls or initiating the broadcast.



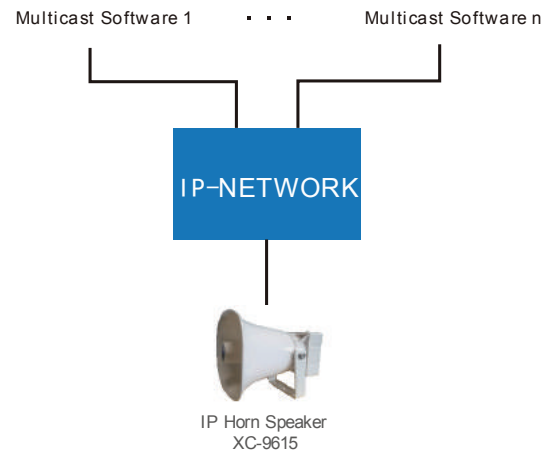
Application 3

Without the SIP PA server, the IP Horn Speaker initiate broadcasting through receiving SIP calls through receiving SIP calls or SIP soft calls to dialing IP address or multicast address.



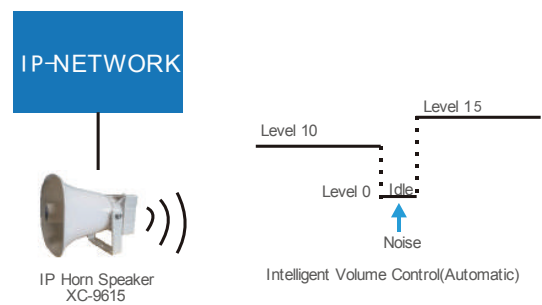
Application 4

IP Horn Speaker work with multicast and different priority levels. It will be ok for multicast software broadcasting audio files to one and more than one of IP Wall-Mounted speakers, and high-priority multicast address broadcasting can end low-priority multicast address broadcasting.



Application 5

IP Horn Speaker has environmental noise monitoring function, and it can automatically adjust the volume according to the site environmental noise to ensure the clear and recognizable voice in any time.



SPON

Changsha SPON Communication Technology Co.,Ltd
 Address: SPON Industrial Park, Changsha, Hunan, China
 Tel: 86-0731-85570190
 Fax: 86-731-889-15786
 Mail: sales@spon.com.cn
 Http: //en.spon.com.cn/

